

COUNTRY[®]

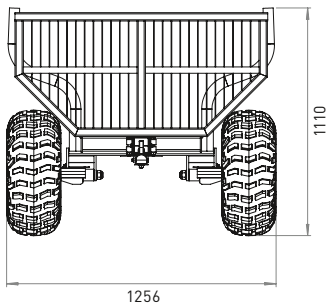
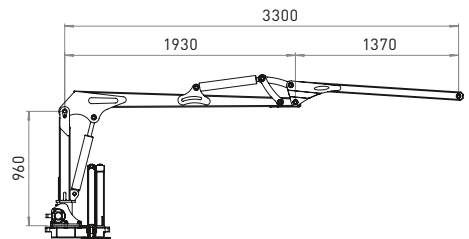
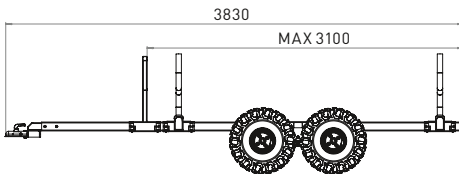




Crane 330 + Trailer T15



Fits for ATV or small tractor till 20 Hp



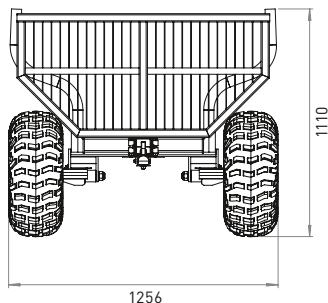
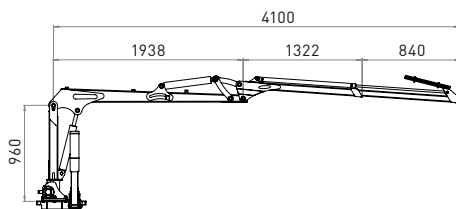
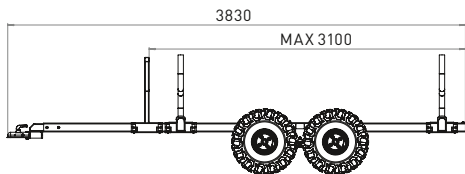
Crane 330 + Trailer T15 technical datas

Crane length (m)	3,3
Lifting power, kg (3,3 m)	310
Lifting power, kg (1,6 m)	420
Steering cylinders	2
Grapple, m ²	0,08
Hydraulic valve, standard	5/7 XY
Working pressure, bar	175
Boom rotation	330°
Support leg type	FD/A
Trailer load capacity	1500 kg
Crane weight	170 kg
Trailer weight	160 kg

Crane 410 + Trailer T15



Fits for ATV or small tractor till 20 Hp



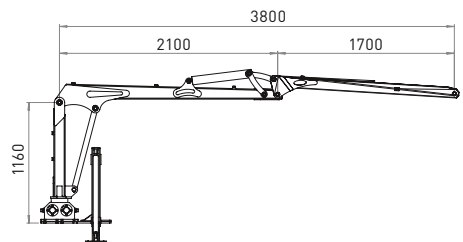
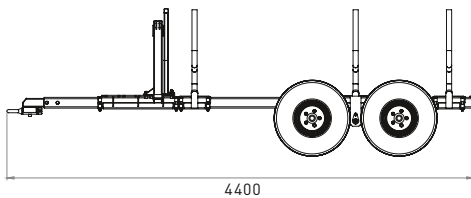
Crane 410 + Trailer T15 technical datas

Crane length (m)	4,1
Lifting power, kg (3,3 m)	310
Lifting power, kg (1,6 m)	420
Slewing cylinders	2
Grapple, m ²	0,08
Hydraulic valve, standard	6/8 XY
Working pressure, bar	175
Boom rotation	330°
Support leg type	FD/A
Trailer load capacity	1500 kg
Crane weight	184 kg
Trailer weight	160 kg

Crane 380 + Trailer T30

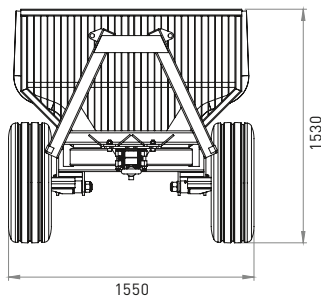


Recommended for tractor 20–40 Hp



Crane 380 + Trailer T30 technical datas

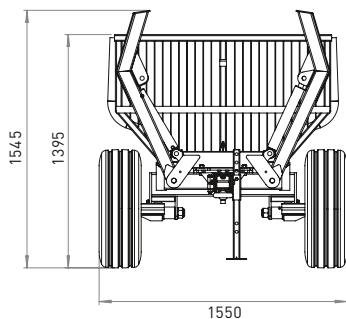
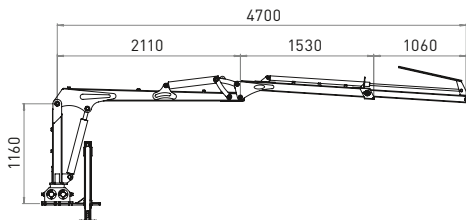
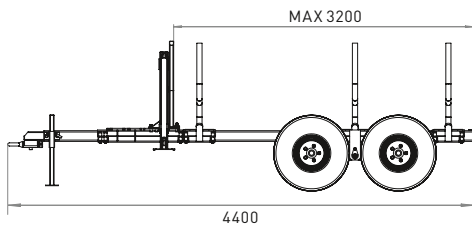
Crane length (m)	3,8
Lifting power, kg (3,8 m)	510
Lifting power, kg (2,0 m)	670
Steering cylinders	4
Grapple, m ²	0,12
Hydraulic valve, standard	5/7 XY
Working pressure, bar	175
Gross lifting torque	24 KNm
Boom rotation	370°
Support leg type	FD/A
Trailer load capacity	3000 kg
Crane weight	322 kg
Trailer weight	330 kg



Crane 470 + Trailer T30



Recommended for tractor 20–40 Hp



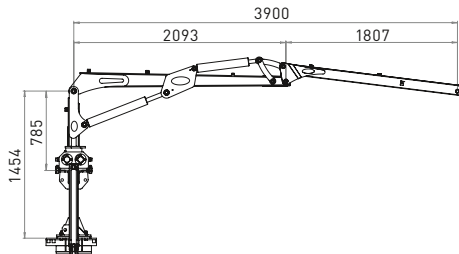
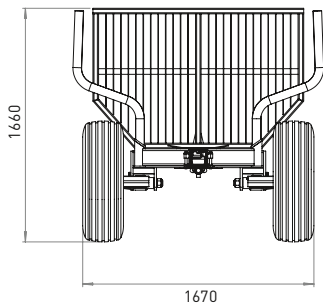
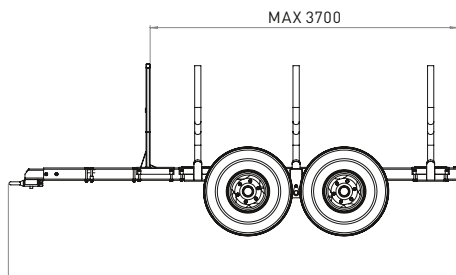
Crane 470 + Trailer T30 technical datas

Crane length (m)	4,7
Lifting power, kg (4,7 m)	370
Lifting power, kg (3,5 m)	550
Slewing cylinders	4
Grapple, m ²	0,12
Hydraulic valve, standard	6/8 XY
Working pressure, bar	175
Gross lifting torque	24 KNm
Boom rotation	370°
Support leg type	FD/A
Trailer load capacity	3000 kg
Crane weight	344 kg
Trailer weight	330 kg

Crane 390 + Trailer T50



Recommended for tractor 35–60 Hp



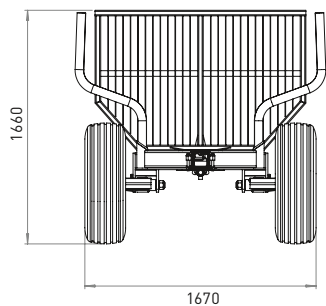
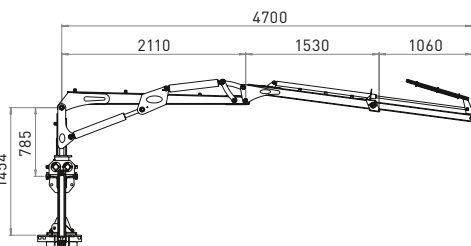
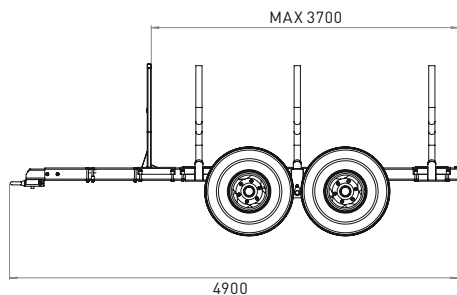
Crane 390 + Trailer T50 technical datas

Crane length (m)	3,9
Lifting power, kg (3,9 m)	510
Lifting power, kg (2,0 m)	670
Steering cylinders	4
Grapple, m ²	0,12
Hydraulic valve, standard	5/7 XY
Working pressure, bar	175
Gross lifting torque	24 KNm
Boom rotation	370°
Trailer load capacity	5000 kg
Crane weight	349 kg
Trailer weight	520 kg

Crane 480 + Trailer T50



Recommended for tractor 35–60 Hp



Crane 480 + Trailer T50 technical datas

Crane length (m)	4,7
Lifting power, kg (4,7 m)	370
Lifting power, kg (3,5 m)	550
Slewing cylinders	4
Grapple, m ²	0,12
Hydraulic valve, standard	6/8 XY
Working pressure, bar	175
Gross lifting torque	24 KNm
Boom rotation	370°
Trailer load capacity	5000 kg
Crane weight	373 kg
Trailer weight	520 kg

📏 Dumper box

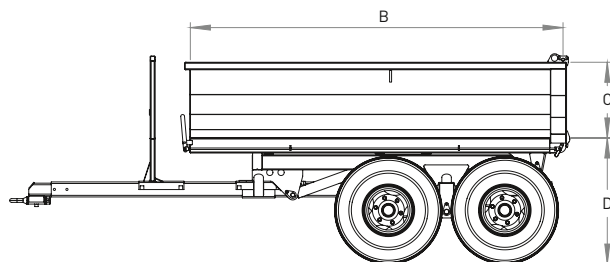


📏 Dumper box for trailer T15

A	1,25 m
B	2,0 m
C	0,3 m
Weight	160 kg
Load capacity	1,3 t

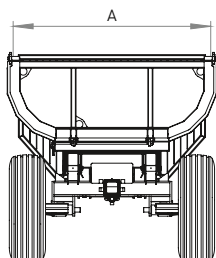


COUNTRY 



📏 Dumper box for trailer T50

A	1,58 m
B	2,96 m
C	0,6 m
D	1 m
Weight	720 kg
Capacity	2,6 m ³
Load capacity	4 t



📏 Dumper box for trailer T30

A	1,28 m
B	2,46 m
C	0,5 m
D	0,75 m
Weight	440 kg
Capacity	1,5 m ³
Load capacity	2,5 t

Accessories



Extra width wheels

300/65-12

Suitable for trailer T30



Extra width wheels

400/60-15,5

Suitable for trailer T50



ON/OFF control valve



Prolong pins for the bank posts

Accessories



Hydraulic brakes



PTO pump and hydraulic tank



Radio winch

Cable: diameter 6 mm, length 25 m
Towing speed: 30 m/min

Accessories



2WD



4WD



Trailer lengthening 1 m



Lights with number plate

Accessories



Hydraulic unit

Engine: Honda 5,5 hp
Pump productivity: 9 l/min
Working pressure: 175 bar
Weight: 31 kg



Hydraulic unit with electric starter

Engine: Honda 6,5 hp
Pump productivity: 9 l/min
Working pressure: 175 bar
Weight: 33 kg



Hydraulic unit

Engine: Honda 6,5 hp
Pump productivity: 11 l/min
Working pressure: 175 bar
Weight: 31 kg



Extra posts

Accessories



Tracks

Weight: 48 kg



Inertia brake



Earth drill

Drills diameters 10 cm, 15 cm, 20 cm



Standing platform

Accessories



Grapple 0,08 m²

Grapple max open: 75 cm
Weight: 22 kg



Grapple 0,12 m²

Grapple max open: 94 cm
Weight: 40 kg



Grapple 0,17 m²

Grapple max open: 113 cm
Weight: 66 kg

Accessories



Grapple 0,21 m²

Grapple max open: 123 cm

Weight: 98 kg



Earth bucket 60 L

Bucket size: 60 L

Weight: 61 kg



Earth bucket 50 L

Bucket size: 50 L

Weight: 54 kg

COUNTRY[®] 

COMA INVESTING LLC
ESTONIA, KUNDA, JAAMA 18a, 44106
Tel: +372 506 2604
E-mail: sales@country.ee
www.country.ee