

ENG
2021

Forest Trailers for Tractors & ATV-s

COUNTRY 

BUILT TO LAST!



MY INNER +
STRENX™



ABOUT THE COMPANY

COUNTRY forestry machinery

We produce forest trailers equipped with cranes for transporting wood by tractors or ATV-s.

Our goal is to offer our clients lasting technical solutions and to enhance our products in cooperation with the customers. The relation with our customers, whose satisfaction we value a lot, is based on mutual loyalty and trust.

We approach each client individually and offer them tailor-made solutions. Often a product is purchased with an aim to use it with an existing trailer, wood splitter or chipper. In that case we adjust the crane to fit the existing equipment.

We use in our production the highest quality European components and special steels.

The product line of COUNTRY is growing constantly. New models with improved technical solutions are released continuously. We are always a step ahead from the needs of our clients.

Country team

PRODUCT RANGE

Smart series

Lightweight, efficient and durable trailers equipped with cranes are designed for small tractors or ATV-s. Their light weight spares forest ground and vegetation.

Master series

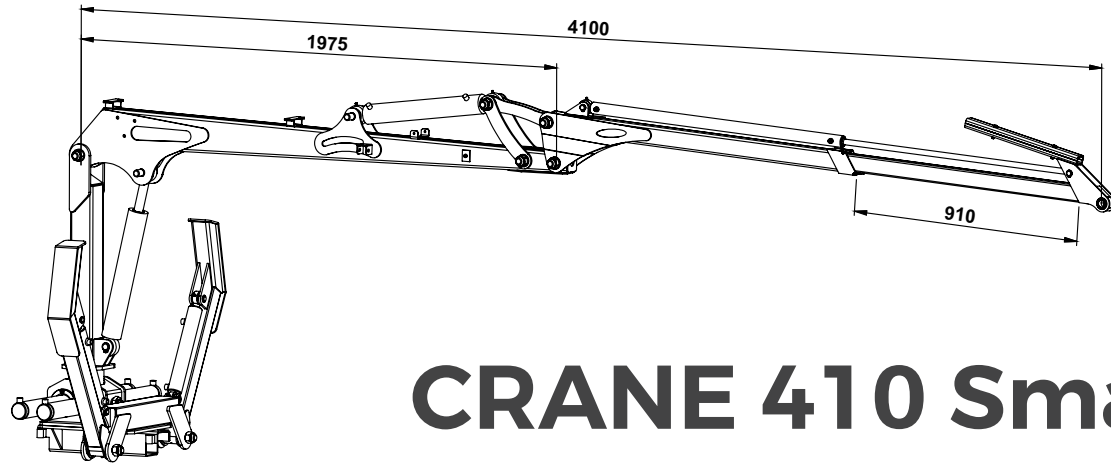
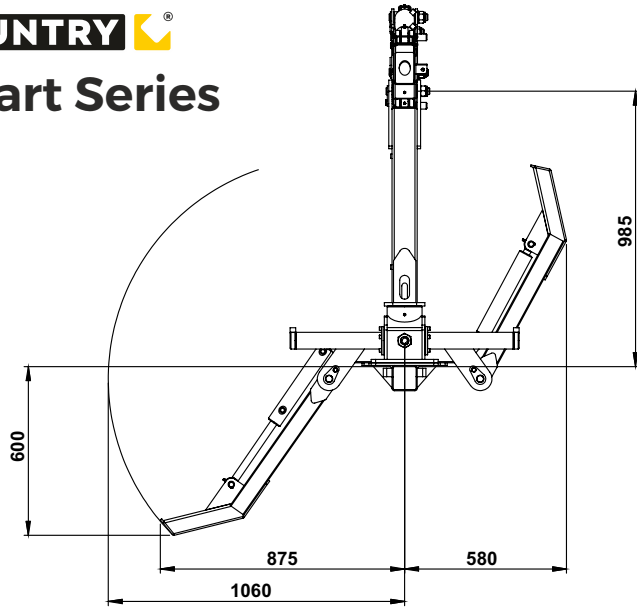
MASTER series is designed for forest owners and farmers. This affordable but at the same time efficient and durable crane can be used also for different types of farm works.

Pro series

PRO series professional trailers equipped with cranes are designed specifically for daily transportation of logs. The reliable and durable PRO series cranes last intense load even in extremest conditions.



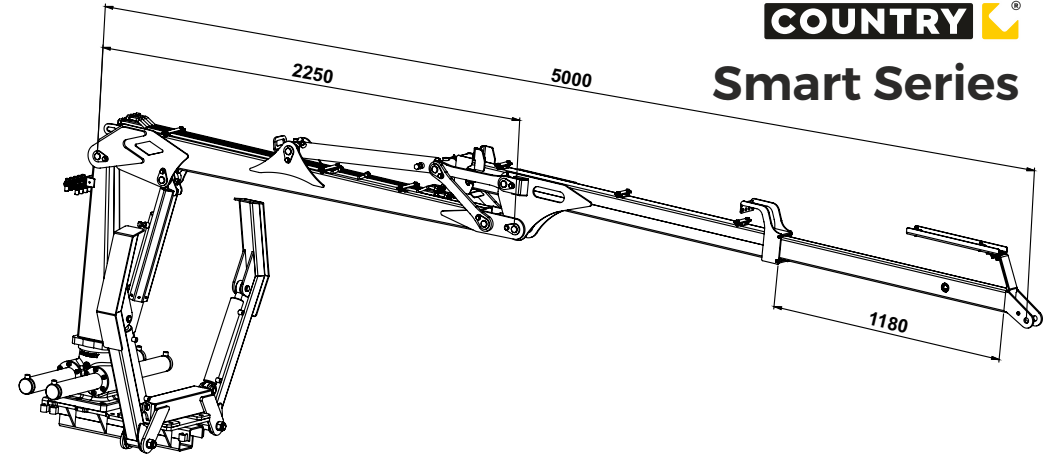
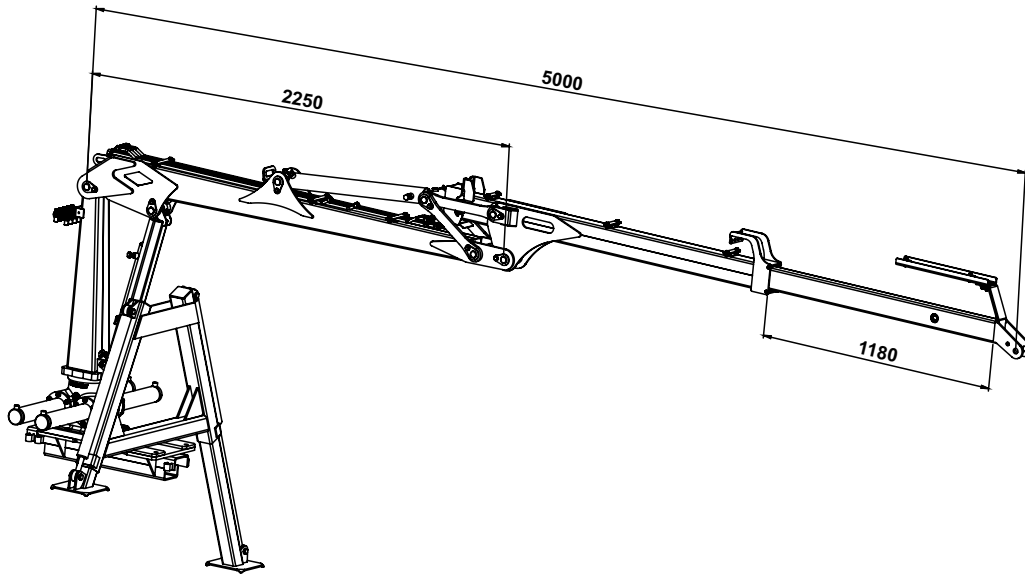
COUNTRY 
Smart Series



CRANE 410 Smart



	410 Smart
Max reach (m)	4.1
Lifting torque gross (kNm)	12
Lifting capacity at 3,5 m w/o rotator and grapple (kg)	280
Lifting capacity at full reach w/o rotator and grapple (kg)	180
Slewing torque (kNm)	2 or 4
Slewing cylinders (pcs)	2 or 4
Slewing angle	360
Rotator max axial load (kN)	10
Telescope extension (pcs)	1
Telescopic boom stroke length (m)	0.9
Working pressure (bar)	175
Crane's weight without support legs and valve block (kg)	167
Recommended pump capacity (l/min)	5-15
Support legs type	FD
A type (telescopic) support legs weight, kg	-
FD type SMART (flap down) support legs weight, kg	60
FD type MASTER (flap down) support legs weight, kg	-
FD type PRO (flap down) support legs weight, kg	-
Recommended grapple size (m ²)	0.08

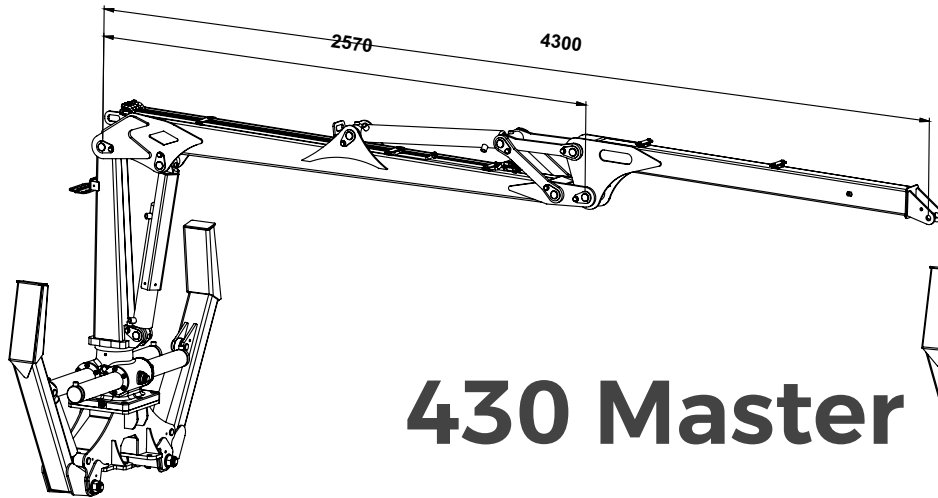


CRANE 500 Smart

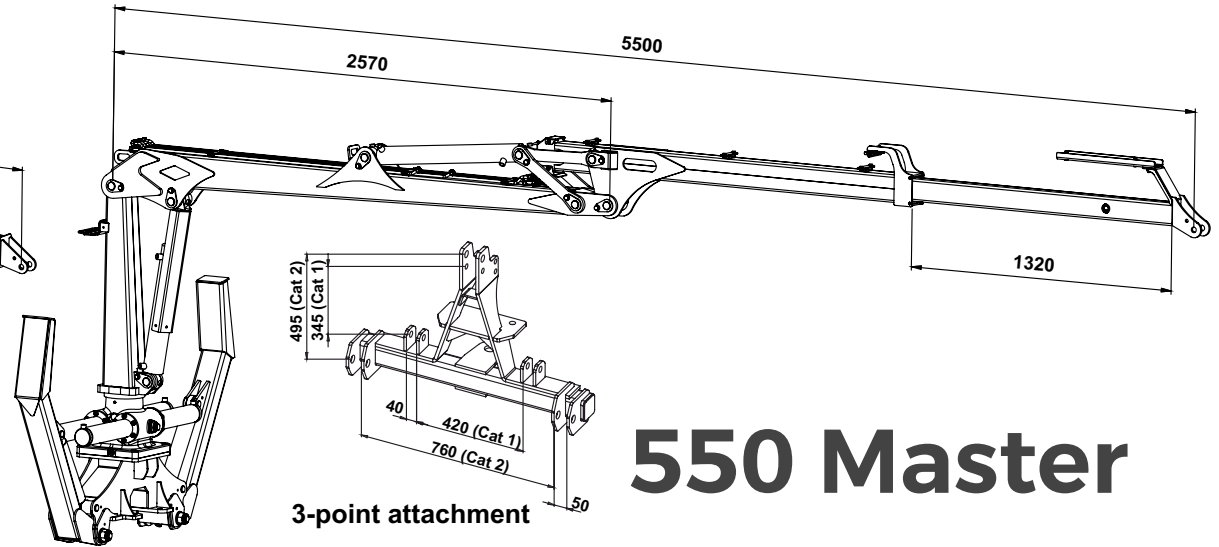


	500Smart
Max reach (m)	5.0
Lifting torque gross (kNm)	23
Lifting capacity at 3,5 m w/o rotator and grapple (kg)	550
Lifting capacity at full reach w/o rotator and grapple (kg)	382
Slewing torque (kNm)	6.3
Slewing cylinders (pcs)	4
Slewing angle	370
Rotator max axial load (kN)	30
Telescope extension (pcs)	1
Telescopic boom stroke length (m)	1.1
Working pressure (bar)	180
Crane's weight without support legs and valve block (kg)	315
Recommended pump capacity (l/min)	15-30
Support legs type	A or FD
A type (telescopic) support legs weight, kg	92
FD type SMART (flap down) support legs weight, kg	91
FD type MASTER (flap down) support legs weight, kg	-
FD type PRO (flap down) support legs weight, kg	-
Recommended grapple size (m2)	0.12

Master Series



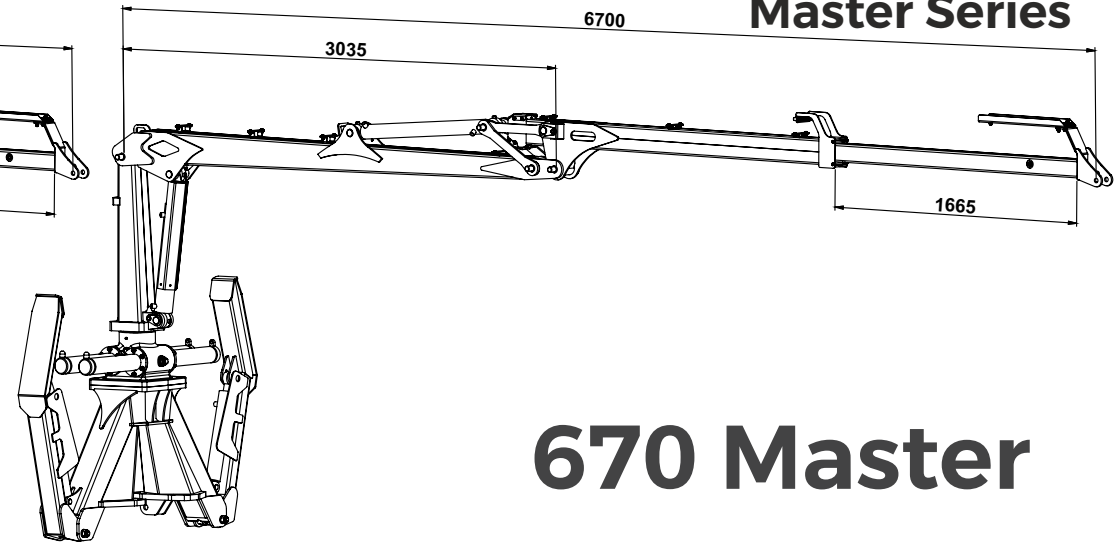
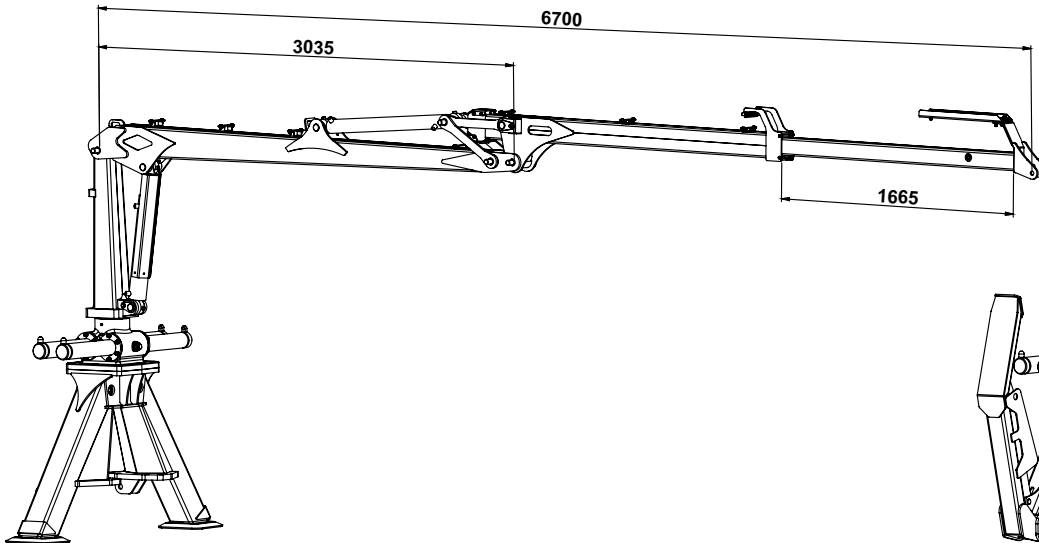
430 Master



550 Master



	430 Master	550 Master
Max reach (m)	4.3	5.5
Lifting torque gross (kNm)	27	27
Lifting capacity at 3,5 m w/o rotator and grapple (kg)	660	618
Lifting capacity at full reach w/o rotator and grapple (kg)	538	390
Slewing torque (kNm)	7.8	7.8
Slewing cylinders (pcs)	4	4
Slewing angle	370	370
Rotator max axial load (kN)	30	30
Telescope extension (pcs)	-	1
Telescopic boom stroke length (m)	-	1.3
Working pressure (bar)	180	180
Crane's weight without support legs and valve block (kg)	335	375
Recommended pump capacity (l/min)	20-35	20-35
Support legs type	FD	FD
A type (telescopic) support legs weight, kg	-	-
FD type SMART (flap down) support legs weight, kg	-	-
FD type MASTER (flap down) support legs weight, kg	135	135
FD type PRO (flap down) support legs weight, kg	-	-
Recommended grapple size (m2)	0.12 to 0.17	0.12 to 0.17

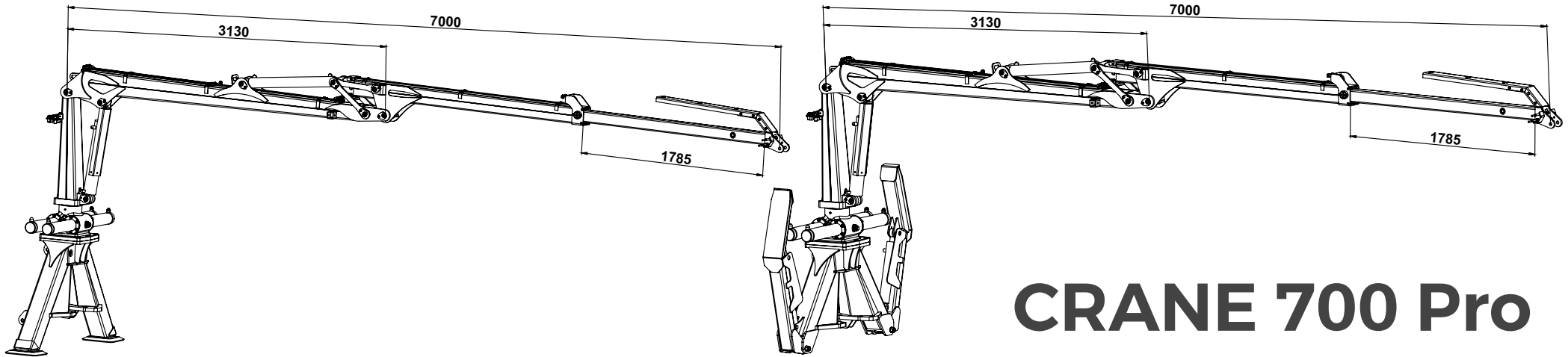


670 Master



	670 Master
Max reach (m)	6.7
Lifting torque gross (kNm)	39
Lifting capacity at 3,5 m w/o rotator and grapple (kg)	870
Lifting capacity at full reach w/o rotator and grapple (kg)	451
Slewing torque (kNm)	12
Slewing cylinders (pcs)	4
Slewing angle	380
Rotator max axial load (kN)	30
Telescope extension (pcs)	1
Telescopic boom stroke length (m)	1.7
Working pressure (bar)	190
Crane's weight without support legs and valve block (kg)	565
Recommended pump capacity (l/min)	30-45
Support legs type	A or FD
A type (telescopic) support legs weight, kg	319
FD type SMART (flap down) support legs weight, kg	-
FD type MASTER (flap down) support legs weight, kg	338
FD type PRO (flap down) support legs weight, kg	420
Recommended grapple size (m2)	0.17 to 0.22

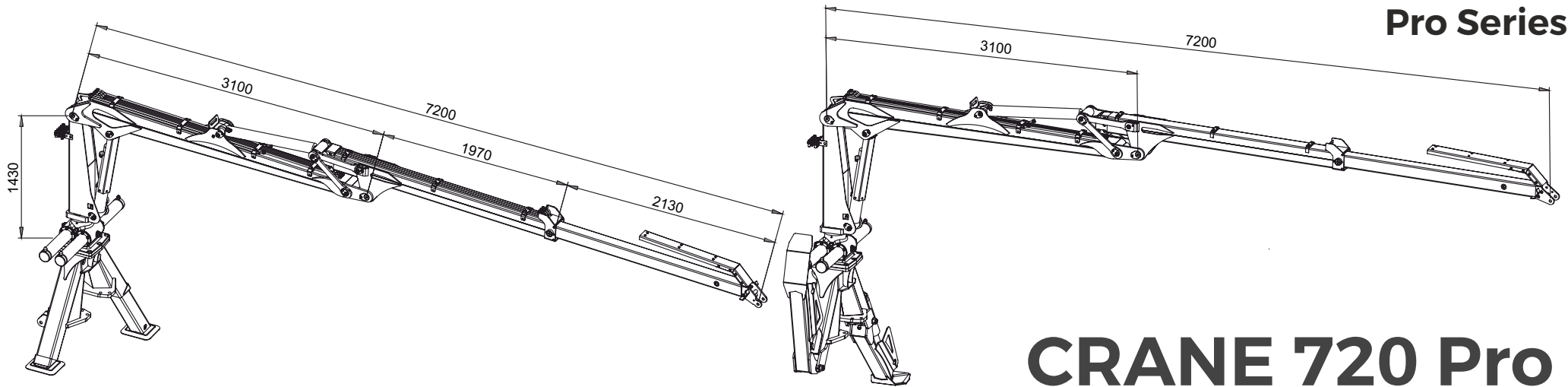
Pro Series



CRANE 700 Pro



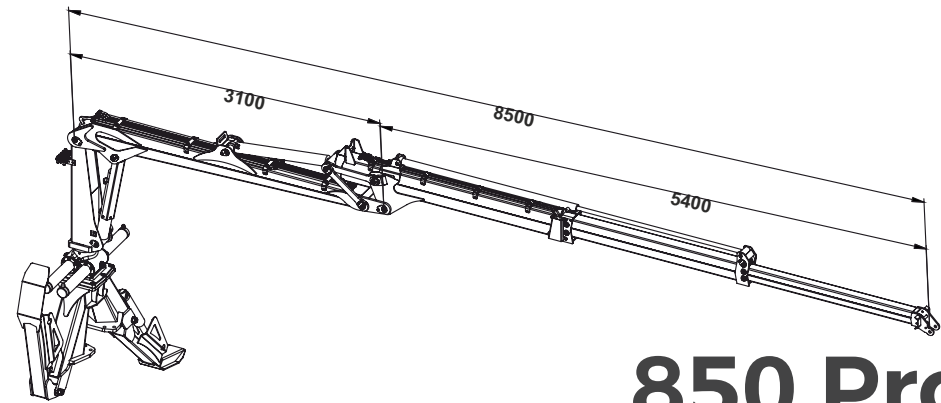
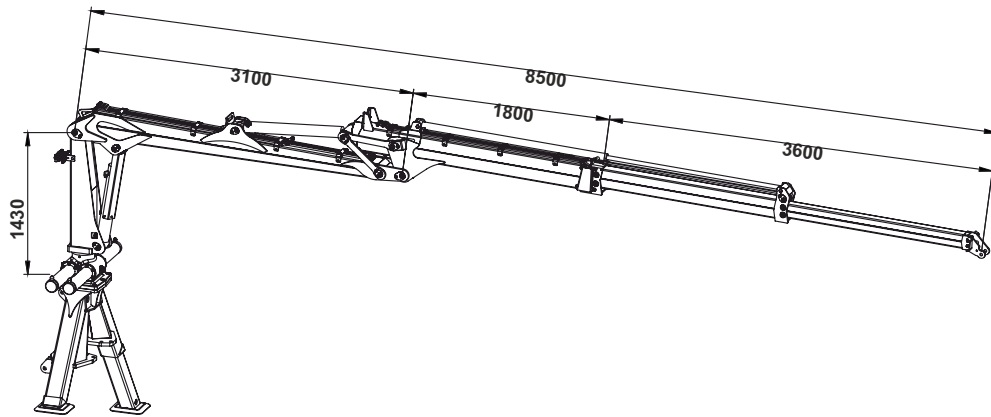
	700 Pro
Max reach (m)	7.0
Lifting torque gross (kNm)	50
Lifting capacity at 3,5 m w/o rotator and grapple (kg)	1120
Lifting capacity at full reach w/o rotator and grapple (kg)	560
Slewing torque (kNm)	15
Slewing cylinders (pcs)	4
Slewing angle	380
Rotator max axial load (kN)	40
Telescope extension (pcs)	1
Telescopic boom stroke length (m)	1.8
Working pressure (bar)	190
Crane's weight without support legs and valve block (kg)	690
Recommended pump capacity (l/min)	40-55
Support legs type	A or FD
A type (telescopic) support legs weight, kg	319
FD type SMART (flap down) support legs weight, kg	-
FD type MASTER (flap down) support legs weight, kg	338
FD type PRO (flap down) support legs weight, kg	420
Recommended grapple size (m2)	0.22 to 0.26



CRANE 720 Pro



	720Pro
Max reach (m)	7.2
Lifting torque gross (kNm)	57
Lifting capacity at 3,5 m w/o rotator and grapple (kg)	1356
Lifting capacity at full reach w/o rotator and grapple (kg)	625
Slewing torque (kNm)	16
Slewing cylinders (pcs)	4
Slewing angle	380
Rotator max axial load (kN)	40
Telescope extension (pcs)	1
Telescopic boom stroke length (m)	1,9
Working pressure (bar)	190
Crane's weight without support legs and valve block (kg)	780
Recommended pump capacity (l/min)	50-65
Support legs type	A or FD
A type (telescopic) support legs weight, kg	319
FD type SMART (flap down) support legs weight, kg	-
FD type MASTER (flap down) support legs weight, kg	-
FD type PRO (flap down) support legs weight, kg	420
Recommended grapple size (m2)	0.22 to 0.26



850 Pro



	850 Pro
Max reach (m)	8.5
Lifting torque gross (kNm)	57
Lifting capacity at 3,5 m w/o rotator and grapple (kg)	1195
Lifting capacity at full reach w/o rotator and grapple (kg)	482
Slewing torque (kNm)	16
Slewing cylinders (pcs)	4
Slewing angle	380
Rotator max axial load (kN)	40
Telescope extension (pcs)	2
Telescopic boom stroke length (m)	3,6
Working pressure (bar)	190
Crane's weight without support legs and valve block (kg)	857
Recommended pump capacity (l/min)	50-65
Support legs type	A or FD
A type (telescopic) support legs weight, kg	319
FD type SMART (flap down) support legs weight, kg	-
FD type MASTER (flap down) support legs weight, kg	-
FD type PRO (flap down) support legs weight, kg	420
Recommended grapple size (m2)	0.22 to 0.26

Trailers technical specifications

	15S	30S	50S	70S	90S	90D	110S	110D	130D
Max load (kg)	1500	3000	5000	7000	9000	9000	11000	11000	13000
Total length (mm)	3870	4340	5655	5625	6240	6200	6200	6360	6470
Total width with standard wheels (mm)	1290	1540	1775	2000	2150	2230	2290	2280	2390
Standard wheels	22.0/11-8	10.0/80-12	400/60-15,5	400/60-15,5	400/60-15,5	400/60-15,5	500/50-17	500/50-17	500/50-17
Length of loading area (mm)	2700	3000	3600	3500	3880	3900	3850	4045	4150
Loading area (m ²)	0.65	1.0	1.35	1.5	2.1	2,1	2.5	2.5	2,85
Chassis (mm)	80x80	100x100	120x120	140x140	160x160	2(200x100)	200x200	2(200x100)	2(200x120)
4 WD (roller drive between wheels)	Option	-	-	-	Option	Option	Option	Option	Option
2 WD (inner drum drive)	-	-	-	-	Option	Option	Option	Option	Option
Hydraulic brakes	-	Option	Option	Option	Option	Option	Option	Option	Option
Pneumatic brakes	-	-	-	-	Option	Option	Option	Option	Option
Overrun braks	Option	Option	Option	Option	Option	Option	Option	Option	-
Drawbar steering cylinders (pcs)	-	-	1	1	2	2	2	2	2
Max allowed crane (kNm)	15	25	30	40	60	60	70	75	80
Trailer weight w.o crane and wheels (kg)	170	380	740	820	1220	1548	1450	1620	1770
Recommended with cranes	410	500	430/550	430/550	670/700/720/850	670/700/720/850	670/700/720/850	670/700/720/850	670/700/720/850

Cranes technical specifications

	410 Smart	500Smart	430 Master	550 Master	670 Master	700 Pro	720Pro	850 Pro
Max reach (m)	4.1	5.0	4.3	5.5	6.7	7.0	7.2	8.5
Lifting torque gross (kNm)	12	23	27	27	39	50	57	57
Lifting capacity at 3,5 m w/o rotator and grapple (kg)	280	550	660	618	870	1120	1356	1195
Lifting capacity at full reach w/o rotator and grapple (kg)	180	382	538	390	451	560	625	482
Slewing torque (kNm)	2 or 4	6.3	7.8	7.8	12	15	16	16
Slewing cylinders (pcs)	2 or 4	4	4	4	4	4	4	4
Slewing angle	360	370	370	370	380	380	380	380
Rotator max axial load (kN)	10	30	30	30	30	40	40	40
Telescope extension (pcs)	1	1	-	1	1	1	1	2
Telescopic boom stroke length (m)	0.9	1.1	-	1.3	1.7	1.8	1,9	3,6
Working pressure (bar)	175	180	180	180	190	190	190	190
Crane's weight without support legs and valve block (kg)	167	315	335	375	565	690	780	857
Recommended pump capacity (l/min)	5-15	15-30	20-35	20-35	30-45	40-55	50-65	50-65
Support legs type	FD	A or FD	FD	FD	A or FD	A or FD	A or FD	A or FD
A type (telescopic) support legs weight, kg	-	92	-	-	319	319	319	319
FD type SMART (flap down) support legs weight, kg	60	91	-	-	-	-	-	-
FD type MASTER (flap down) support legs weight, kg	-	-	135	135	338	338	-	-
FD type PRO (flap down) support legs weight, kg	-	-	-	-	420	420	420	420
Recommended grapple size (m2)	0.08	0.12	0.12 to 0.17	0.12 to 0.17	0.17 to 0.22	0.22 to 0.26	0.22 to 0.26	0.22 to 0.26



Country forest trailers models names consist of a number and a letter. For example:

130D

D = double beam
130 = 13,000kg

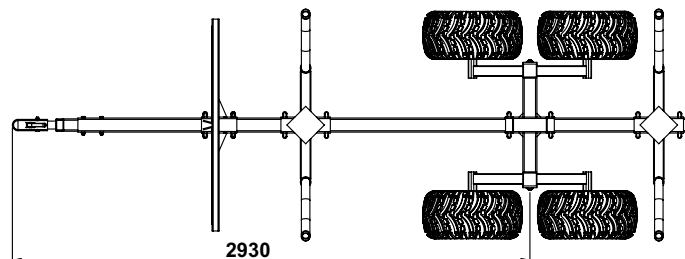
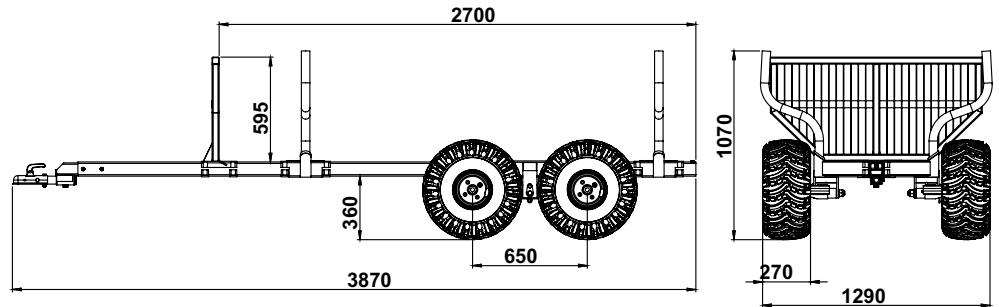
90S

S = single beam
90 = 9,000kg

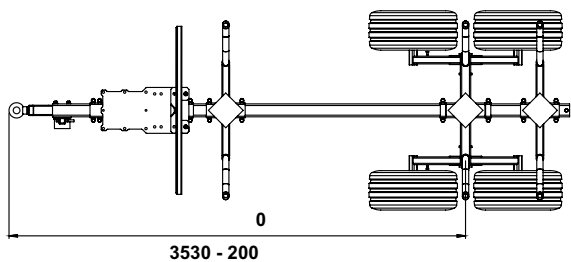
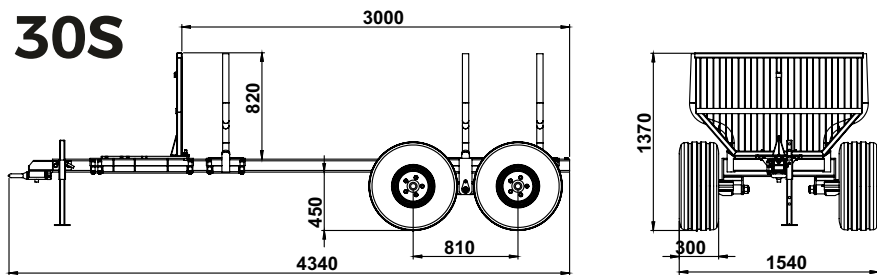
TRAILER 15S

	15S
Max load (kg)	1500
Total length (mm)	3870
Total width with standard wheels (mm)	1290
Standard wheels	22.0/11-8
Length of loading area (mm)	2700
Loading area (m ²)	0.65
Chassis (mm)	80x80
4 WD (roller drive between wheels)	Option
2 WD (inner drum drive)	-
Hydraulic brakes	-
Pneumatic brakes	-
Overrun braks	Option
Drawbar steering cylinders (pcs)	-
Max allowed crane (kNm)	15
Trailer weight w.o crane and wheels (kg)	170
Recommended with cranes	410

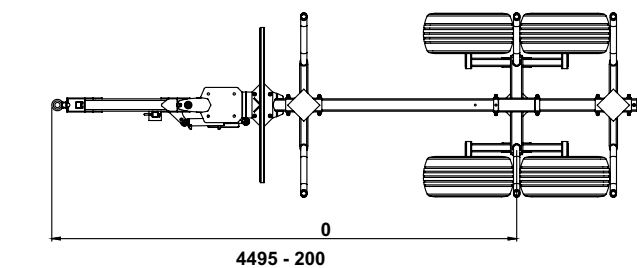
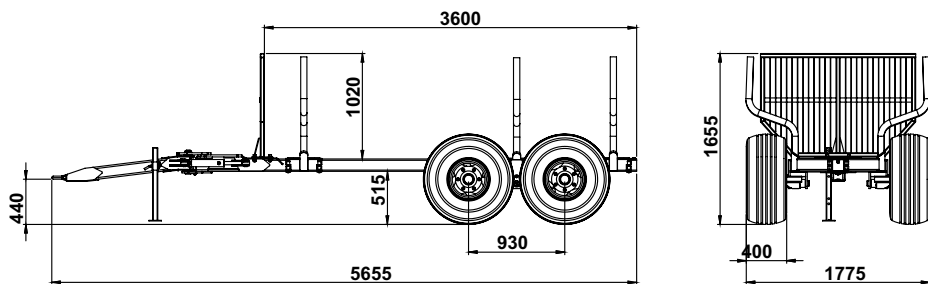
15S



30S



50S



COUNTRY Trainers

TRAILER 30S / 50S

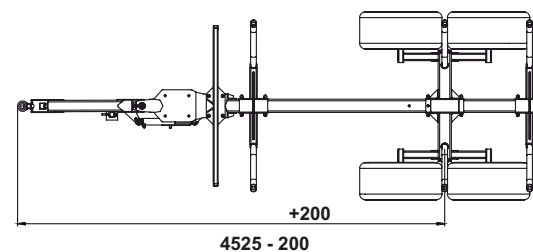
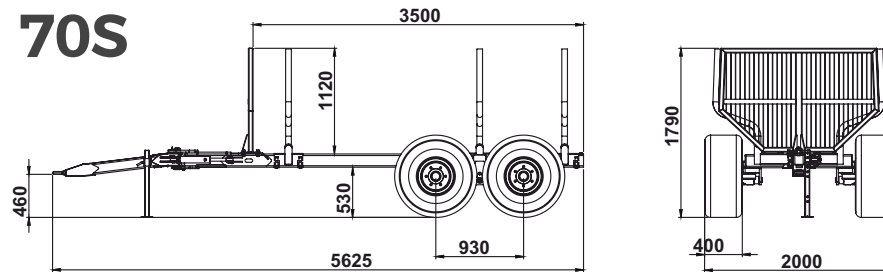
	30S	50S
Max load (kg)	3000	5000
Total length (mm)	4340	5655
Total width with standard wheels (mm)	1540	1775
Standard wheels	10.0/80-12	400/60-15,5
Length of loading area (mm)	3000	3600
Loading area (m ²)	1.0	1.35
Chassis (mm)	100x100	120x120
4 WD (roller drive between wheels)	-	-
2 WD (inner drum drive)	-	-
Hydraulic brakes	Option	Option
Pneumatic brakes	-	-
Overrun braks	Option	Option
Drawbar steering cylinders (pcs)	-	1
Max allowed crane (kNm)	25	30
Trailer weight w.o crane and wheels (kg)	380	740
Recommended with cranes	500	430/550



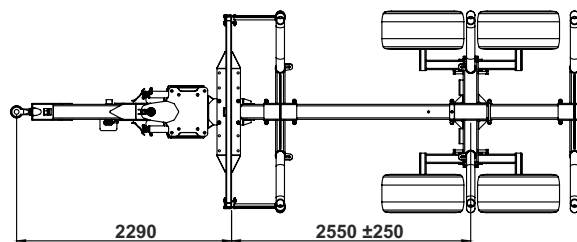
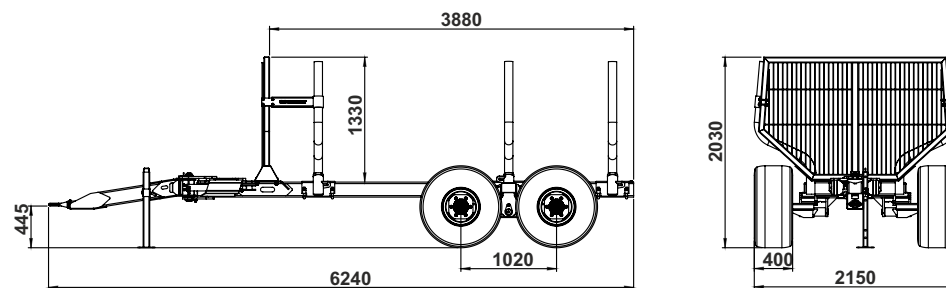
TRAILER 70S / 90S

	70S	90S
Max load (kg)	7000	9000
Total length (mm)	5625	6240
Total width with standard wheels (mm)	2000	2150
Standard wheels	400/60-15,5	400/60-15,5
Length of loading area (mm)	3500	3880
Loading area (m ²)	1.5	2.1
Chassis (mm)	140x140	160x160
4 WD (roller drive between wheels)	-	Option
2 WD (inner drum drive)	-	Option
Hydraulic brakes	Option	Option
Pneumatic brakes	-	Option
Overrun braks	Option	Option
Drawbar steering cylinders (pcs)	1	2
Max allowed crane (kNm)	40	60
Trailer weight w.o crane and wheels (kg)	820	1220
Recommended with cranes	430/550	670/700/720/850

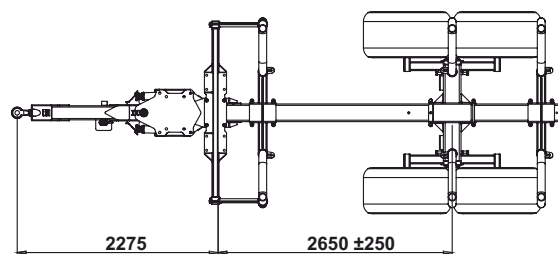
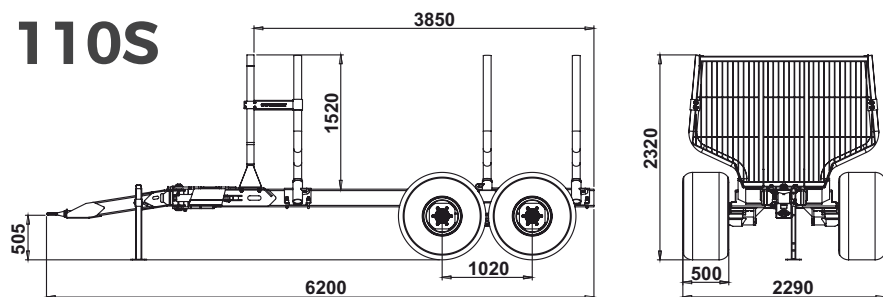
70S



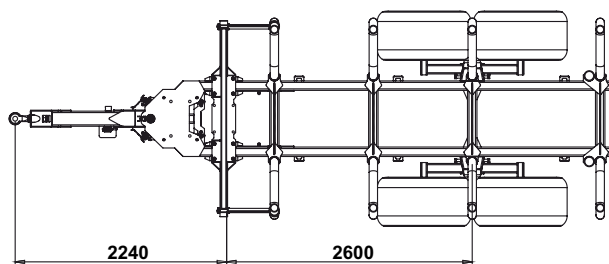
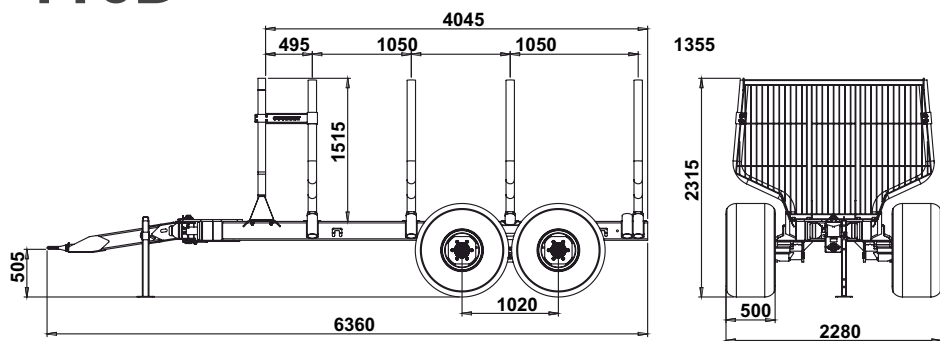
90S



110S



110D



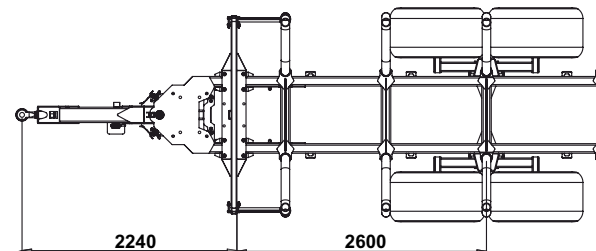
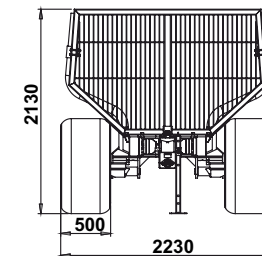
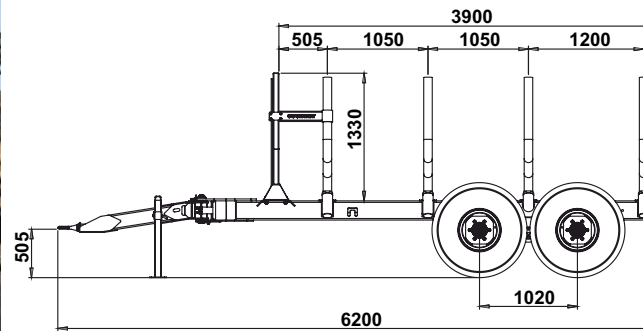
TRAILER 110S / 110D

	110S	110D
Max load (kg)	11000	11000
Total length (mm)	6200	6360
Total width with standard wheels (mm)	2290	2280
Standard wheels	500/50-17	500/50-17
Length of loading area (mm)	3850	4045
Loading area (m ²)	2.5	2.5
Chassis (mm)	200x200	2(200x100)
4 WD (roller drive between wheels)	Option	Option
2 WD (inner drum drive)	Option	Option
Hydraulic brakes	Option	Option
Pneumatic brakes	Option	Option
Overrun braks	Option	Option
Drawbar steering cylinders (pcs)	2	2
Max allowed crane (kNm)	70	75
Trailer weight w.o crane and wheels (kg)	1450	1620
Recommended with cranes	670/700/720/850	670/700/720/850

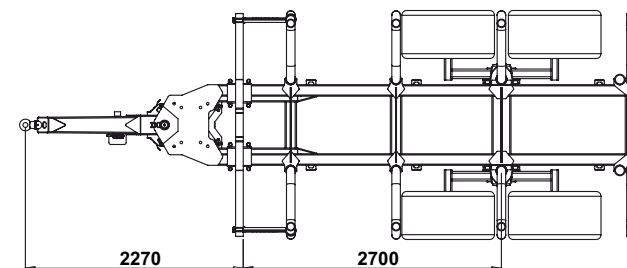
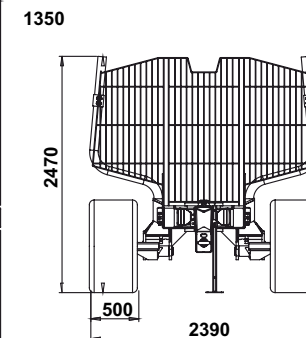
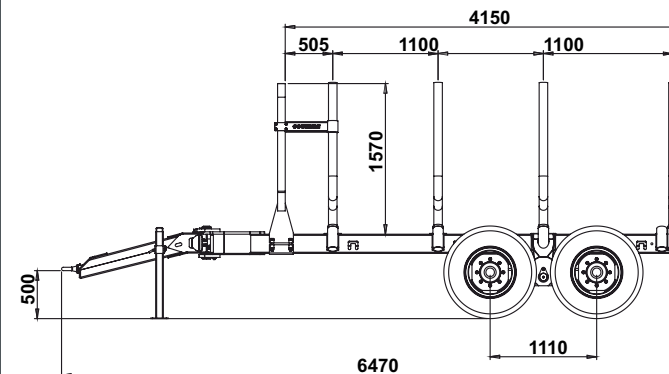


TRAILER 90D / 130D

	90D	130D
Max load (kg)	9000	13000
Total length (mm)	6200	6470
Total width with standard wheels (mm)	2230	2390
Standard wheels	400/60-15,5	500/50-17
Length of loading area (mm)	3900	4150
Loading area (m ²)	2,1	2,85
Chassis (mm)	2(200x100)	2(200x120)
4 WD (roller drive between wheels)	Option	Option
2 WD (inner drum drive)	Option	Option
Hydraulic brakes	Option	Option
Pneumatic brakes	Option	Option
Overrun braks	Option	-
Drawbar steering cylinders (pcs)	2	2
Max allowed crane (kNm)	60	80
Trailer weight w.o crane and wheels (kg)	1548	1770
Recommended with cranes	670/700/720/850	670/700/720/850



90D



130D

Cranes and trailers compatibility

	410 Smart	500 Smart	430 Master	550 Master	670 Master	700 Pro	720 Pro	850 Pro
15S	X							
30S		X						
50S			X	X				
70S			X	X				
90S					X	X	X	X
90D					X	X	X	X
110S					X	X	X	X
110D					X	X	X	X
130D					X	X	X	X

Accessories



Dumper box



Earth bucket



Forest rim



Hydraulic unit



LED lights on crane



Toolbox

COUNTRY Accessories



Air brakes



Hydraulic brakes



Overrun brakes



Foldable Lights



Kilpi lights



2wd/4wd BlackBruin



4wd roller drive



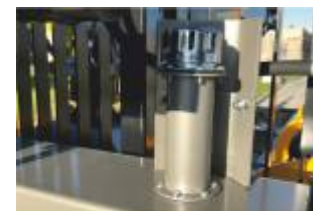
Brakelink for rotator



Flange rotator



Oil tank



Oil tank cap extension



PTO pump



Telescopic extension



Extra posts



Standing platform



Standing platform with pump

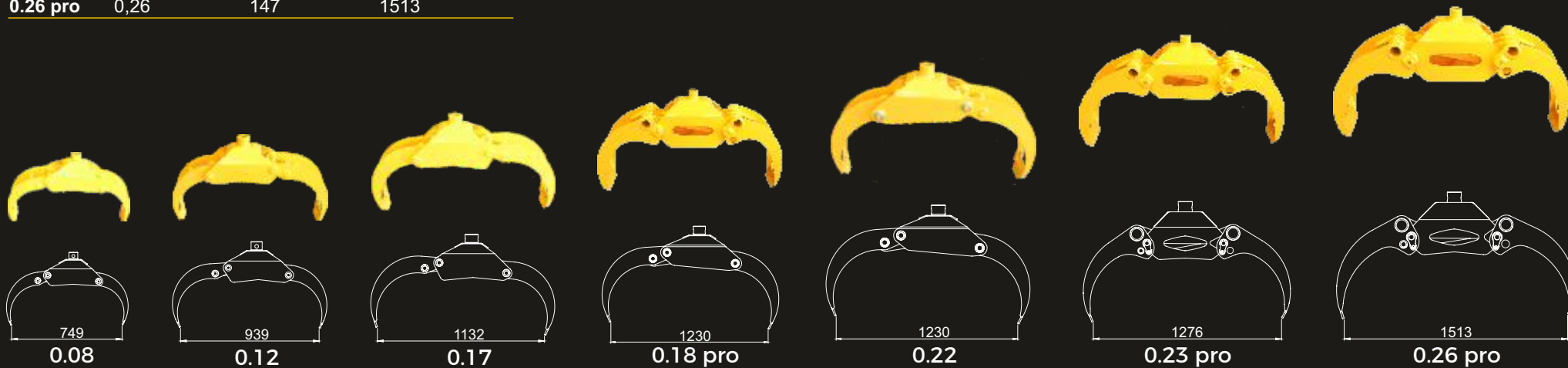


Radio-winch 1400 & 2200



Radio-winch 500 & 1000

Model	Area (m2)	Weight (kg)	Max open (mm)
0.08	0,08	25	749
0.12	0,12	41	939
0,17	0,17	62	1132
0.22	0,22	105	1230
0.18 pro	0,18	87	1230
0.23 pro	0,22	116	1276
0.26 pro	0,26	147	1513



Control valves

5/7-XY

6/8-XY

4/8-on-off

4/8-XYZ

Pre-Hydraulic

Propo elctrical

Propo electrical mini-levers

Remote control

Manufacturer



COUNTRY OÜ
Reg.nr: 12565983
Selja tee 17, Kunda
44105 Lääne-Virumaa
Estonia

Tel: +3725056120
Tel: +3725062604
E-mail: sales@country.ee

www.country.ee